

GRP storage cabinet: DMO-40

Dräger Marine & Offshore cabinets are designed for tough offshore conditions. Manufactured from durable GRP material, these cabinets are rated to IP56, certified by Lloyds. All cabinets are manufactured with stainless steel locks and hinges. The cabinets can be configured to suit different storage requirements.



Room to store

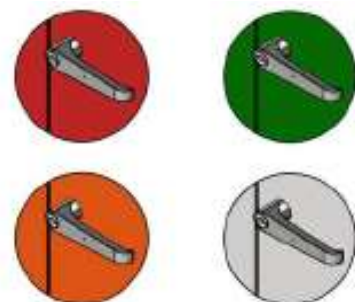
- Fire hoses

Options

- Flame retardant version
- Heaters (conventional / ATEX approved)
- Lettering

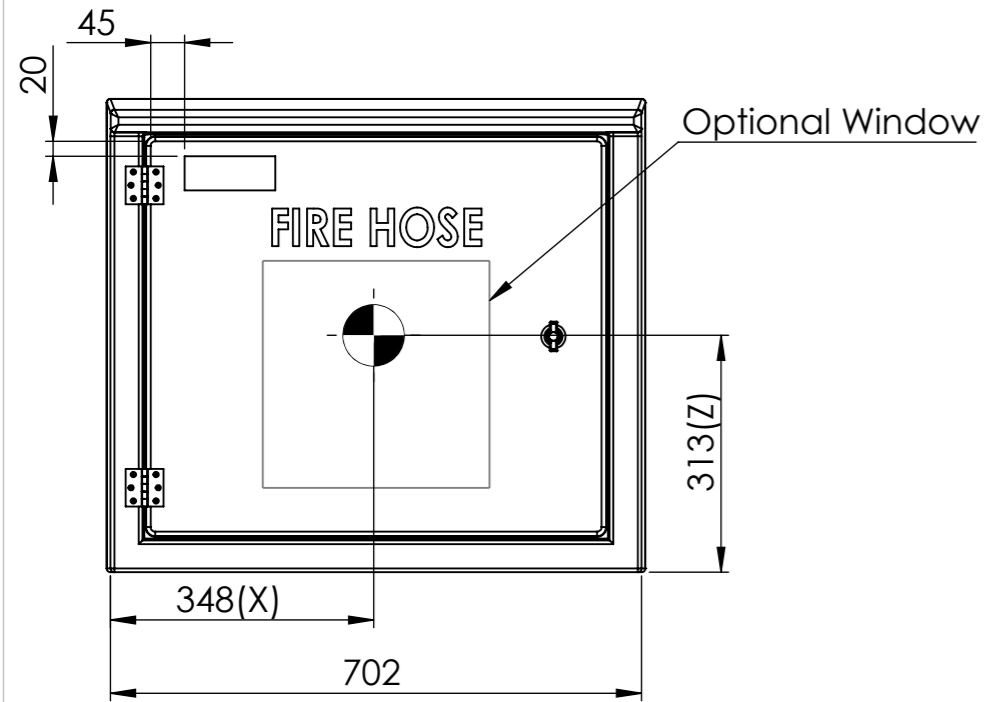
TECHNICAL SPECIFICATIONS

Dimensions	702 x 203 x 626 mm (WxDxH)
Angle of door opening	89°
Weight	7 kgs
Material	GRP
Colour	Safety Green RAL 6002 Firefighting Red RAL 3000 Safety Orange RAL 2009 Lifesaving White RAL 9010
IP rating	IP56
Door catch	Nylon
Door handle	SS 316
Hinges	SS 316
Seal	EPDM
Reinforcement	Core material
Lettering	White
Approvals	IP56 BS EN 60529:1992 Lloyds

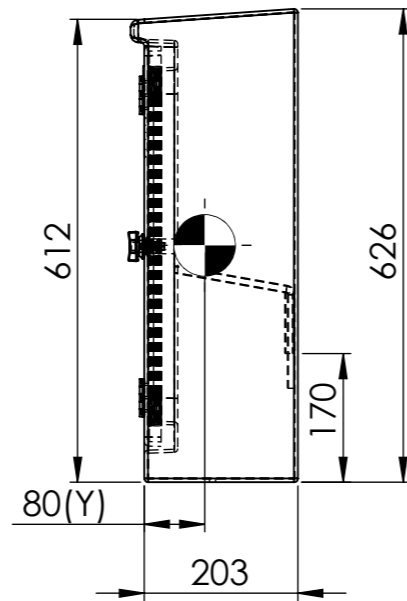


GRP storage cabinet: DMO-40
IP56, certified by Lloyds

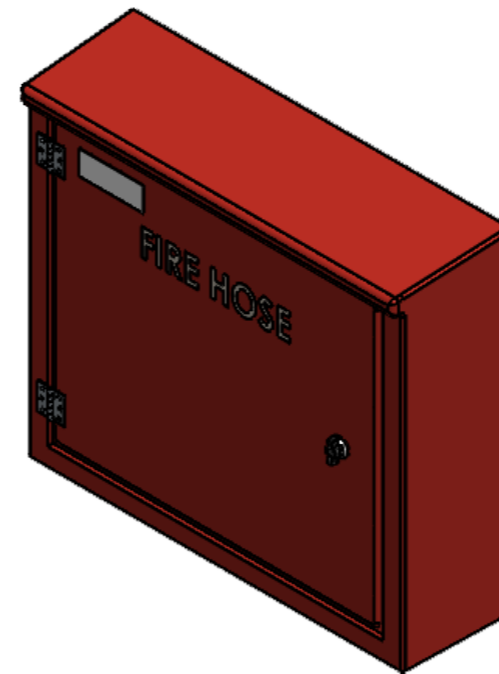
Front View



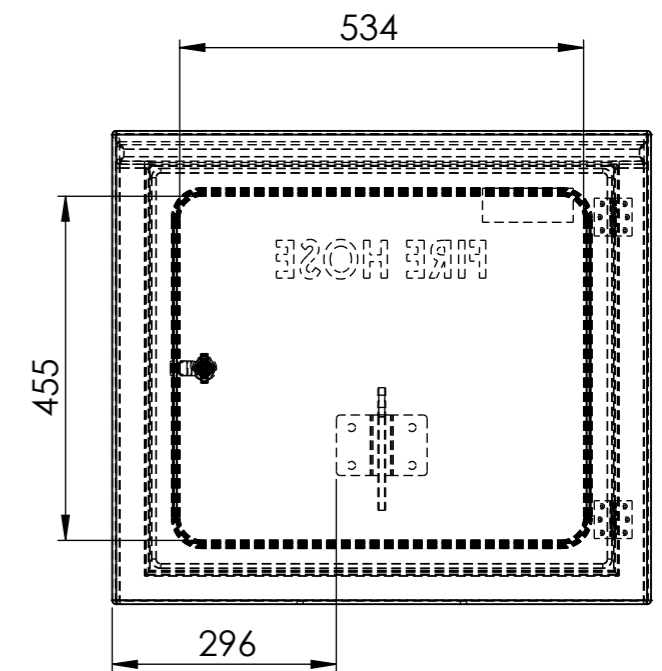
Side View



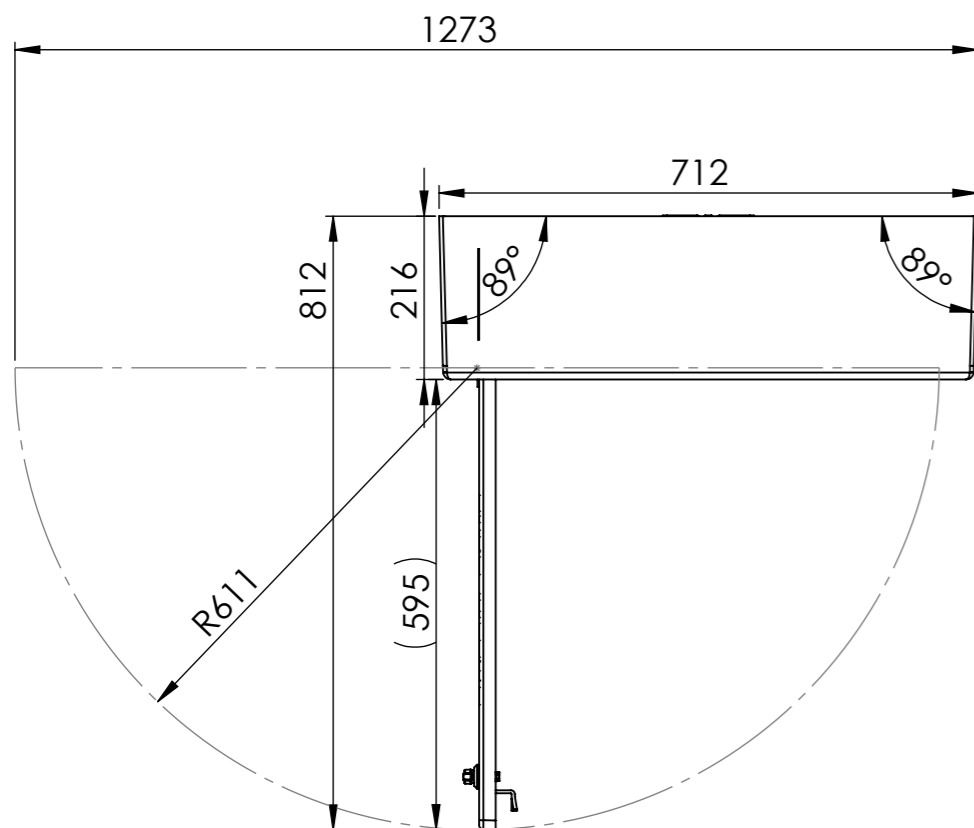
ISO View



Rear View



Top View



Footprint

Colour	RAL3000
Material	3-4mm GRP
Lock and hinges	Stainless steel
Weight cabinet	xxKg
Weight cabinet incl. content	Invulbaar
C.O.G.	X-348 / Y-79 / Z-314 from datum
Text on cabinet	FIRE HOSE
Tag on cabinet	Invulbaar
Mounting instructions	Invulbaar

Storage for	
-------------	--

Dräger	Date	13-10-2023	Name	B. Cool	SW Filename	DMO_40_01
	Drawn Dräger Nederland B.V. Marine & Offshore Beurtschipperstraat 1 3194 DK, Hoogvliet-RT the Netherlands			Comments: +31 10 2952772		
Scale: 1:10	Projection	Description:		Art.Nr:	Sheet	Format:
Units: mm		DMO_40_00		DMO_40_00	1 of 1	A3