

GRP storage cabinet: DMO-09

Dräger Marine & Offshore cabinets are designed for tough offshore conditions. Manufactured from durable GRP material, these cabinets are rated to IP56, certified by Lloyds. All cabinets are manufactured with stainless steel locks and hinges. The cabinets can be configured to suit different storage requirements.



Features

Room to store

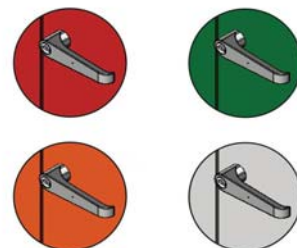
- Fire hydrant cabinet (4 hoses / spray nozzles / spanners)
- Survival suits (up to 20 pcs depending on type)
- Lifejackets (up to 30 pcs depending on type)
- Fireman's clothing (4 sets folded)
- SCBA storage (2 sets + spare cylinder)
- Chemical protection equipment
- Electrical safety kit
- Fall protection equipment / descent units (donut type)

Options

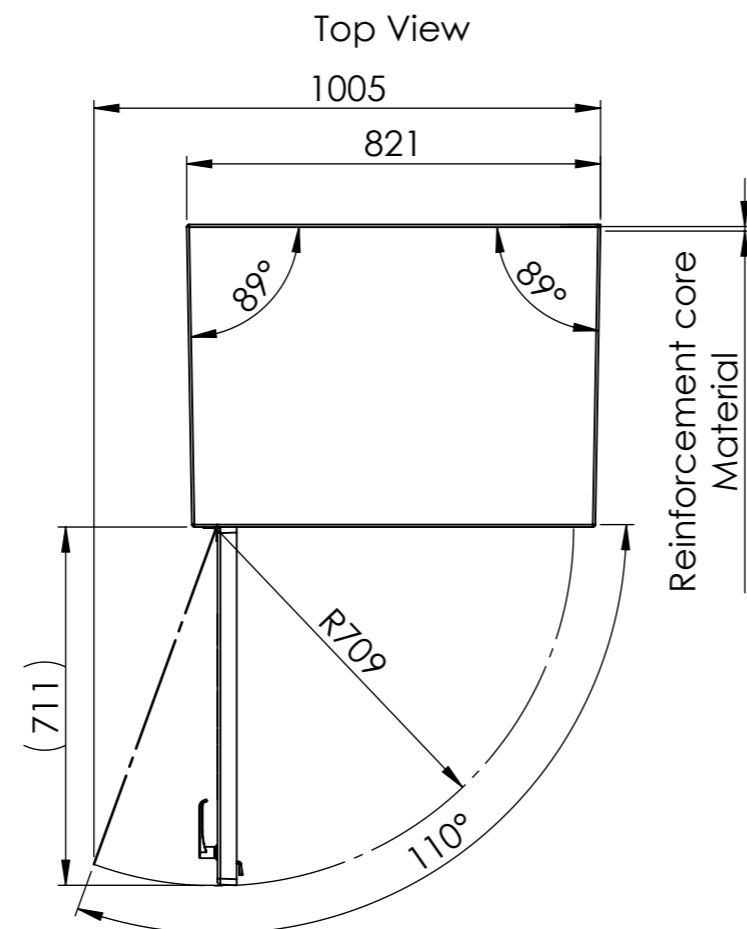
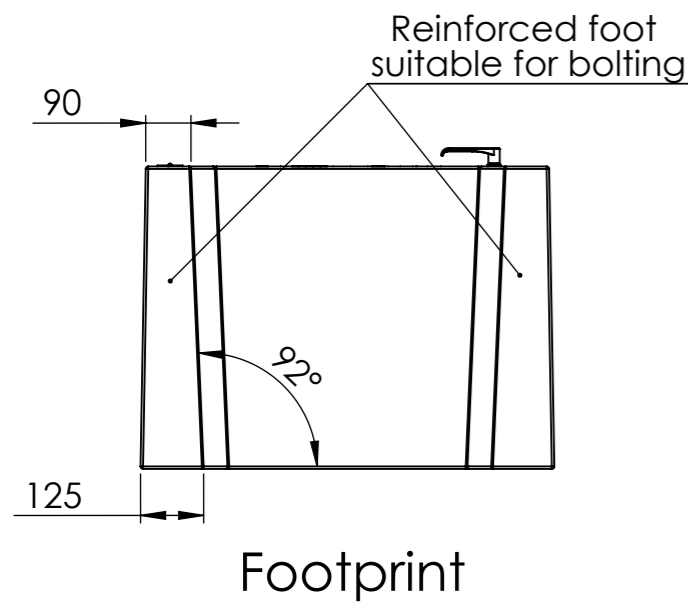
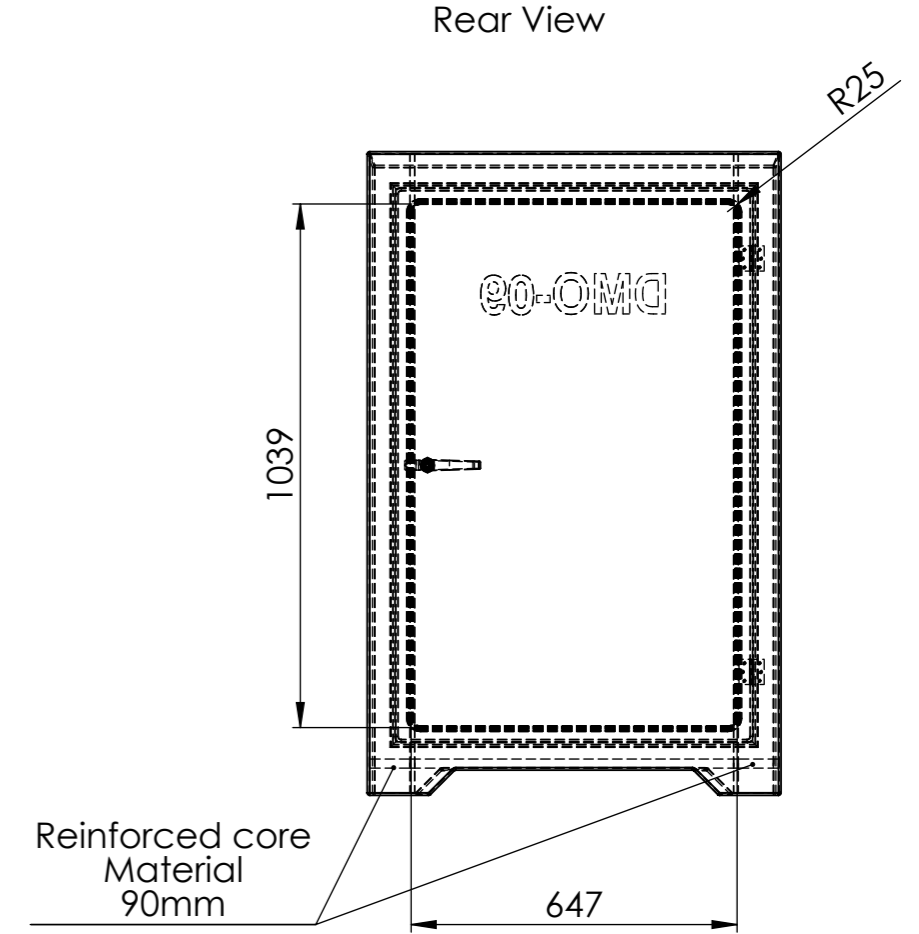
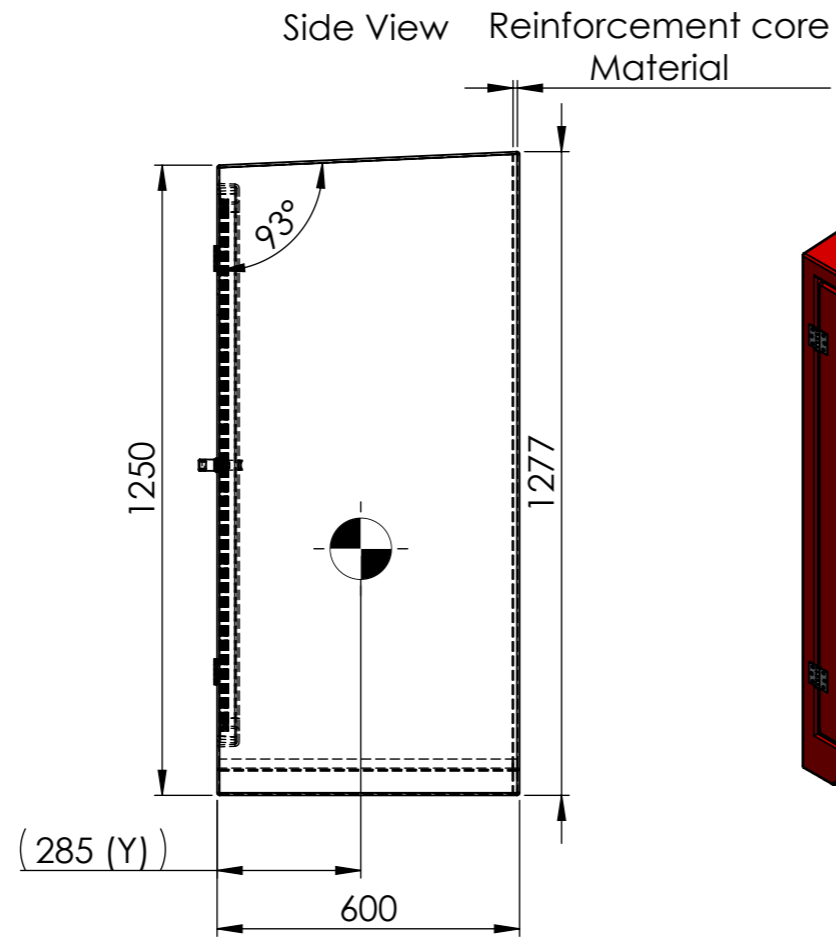
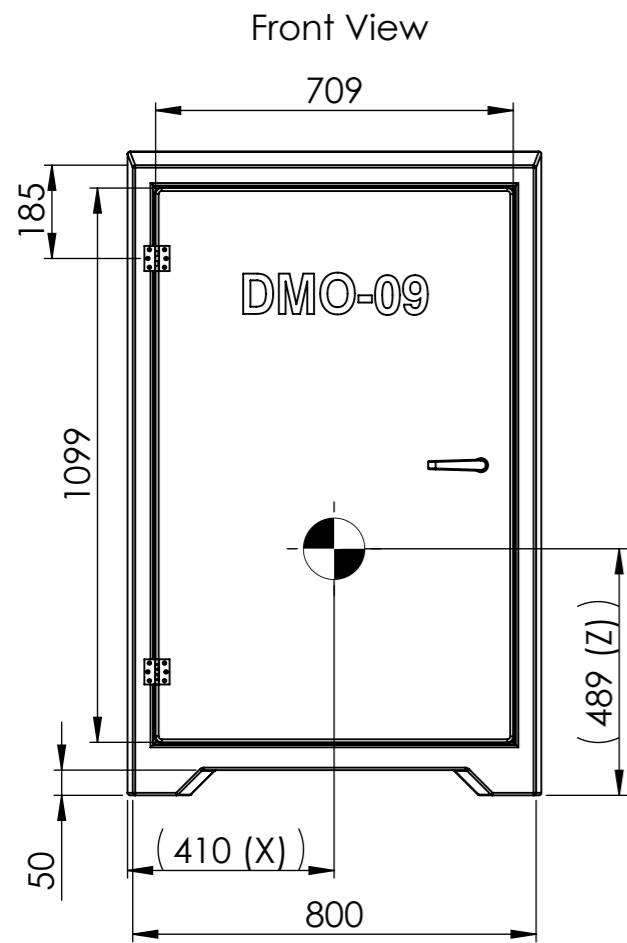
- Shelves
- Ventilation
- Flame retardant version
- Heaters (conventional / ATEX approved)
- Lettering

TECHNICAL SPECIFICATIONS

Dimensions	821 x 600 x 1277 mm (WxDxH)
Aperture dimensions	647 x 600 x 1039 mm (WxDxH)
Angle of door opening	90°
Weight	30 kgs
Material	GRP
Colour	Safety Green RAL 6002 Firefighting Red RAL 3000 Safety Orange RAL 2009 Lifesaving White RAL9010
IP rating	IP56
Door catch	Nylon
Door handle	SS 316
Hinges	SS 316
Seal	EPDM
Reinforcement	Core material
Lettering	White
Approvals	IP56 BS EN 60529:1992 Lloyds



GRP storage cabinet: DMO-09
IP56 rated and Lloyds certified



Colour	RALxxxx
Material	3-4mm GRP
Lock and hinges	Stainless steel
Weight cabinet	xxKg
Weight cabinet incl. content	Invulbaar
C.O.G.	X 410 / Y 285 / Z 489 from datum
Text on cabinet	Invulbaar
Tag on cabinet	Invulbaar
Mounting instructions	Invulbaar

Storage for

Dräger	Date	Name	SW Filename
	13-2-2023	B.S.	DMO_09_00
Dräger Nederland B.V. Marine & Offshore Beurtschipperstraat 1 3194 DK, Hoogvliet-RT the Netherlands		Comments: +31 10 2952772	
Scale: 1:15	Projection	Description:	Art.Nr:
Units: mm		DMO Cabinet 09	DMO_09
			Sheet
			1 of 5
			Format:
			A3