

GRP storage cabinet: DMO-33

Dräger Marine & Offshore cabinets are designed for tough offshore conditions. Manufactured from durable GRP material, these cabinets are rated to IPX6 as certified by TÜV. All cabinets are manufactured with stainless steel locks and hinges. The cabinets can be configured to suit different storage requirements.



Features

Room to store

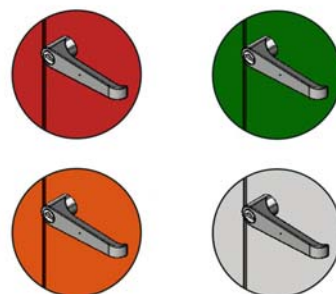
- Eyewash bottles
- Safety torches
- Escape masks
- Descent units (donut type)

Options

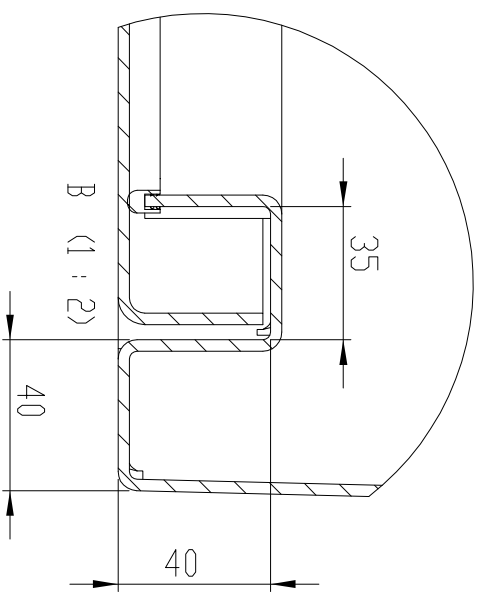
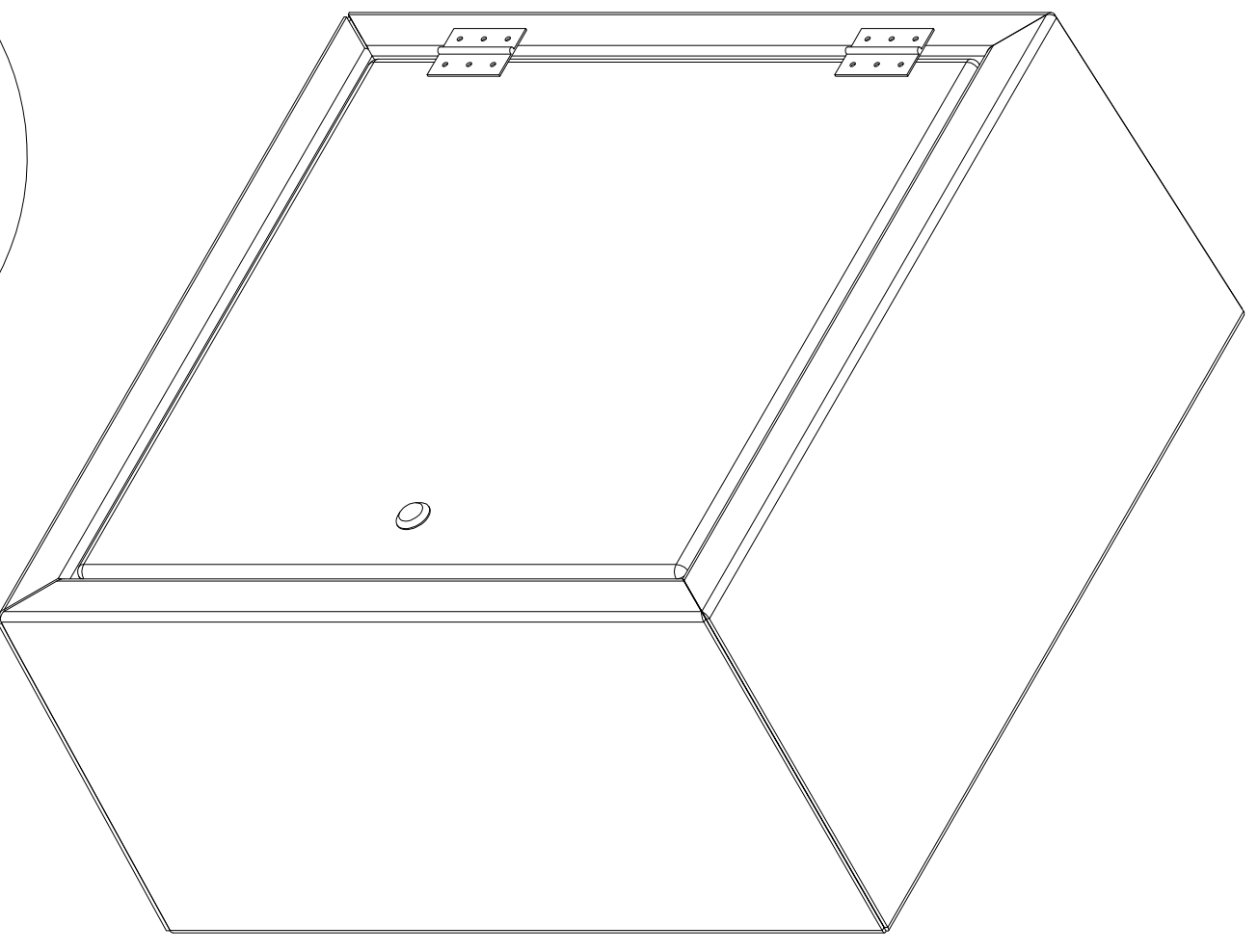
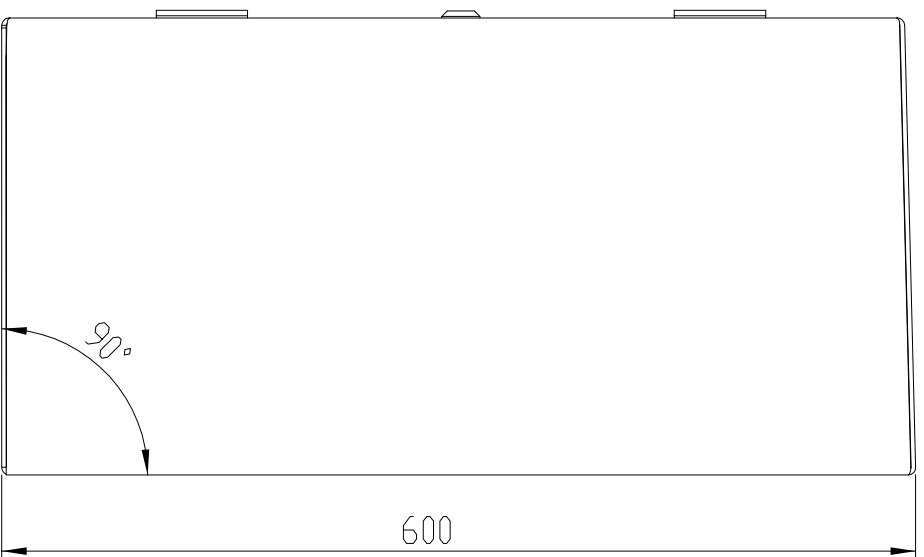
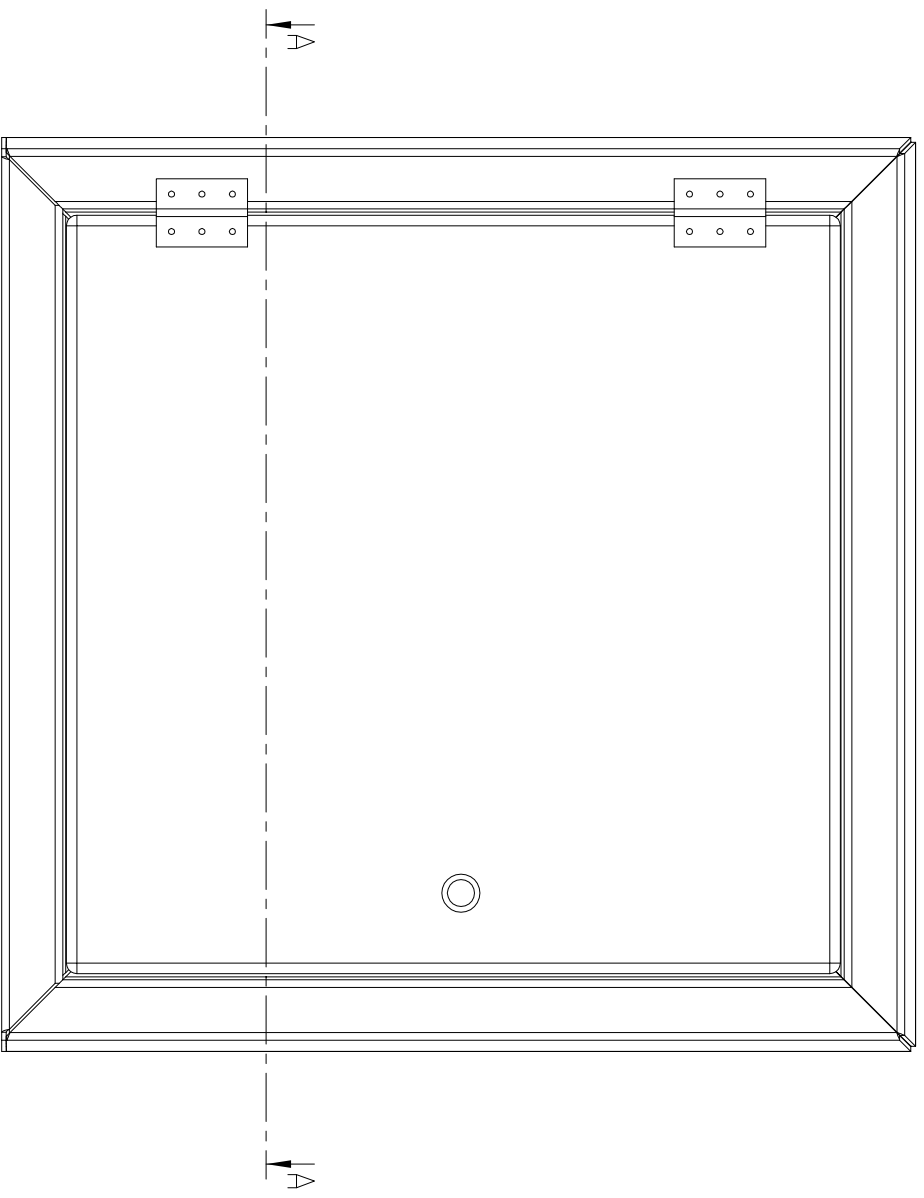
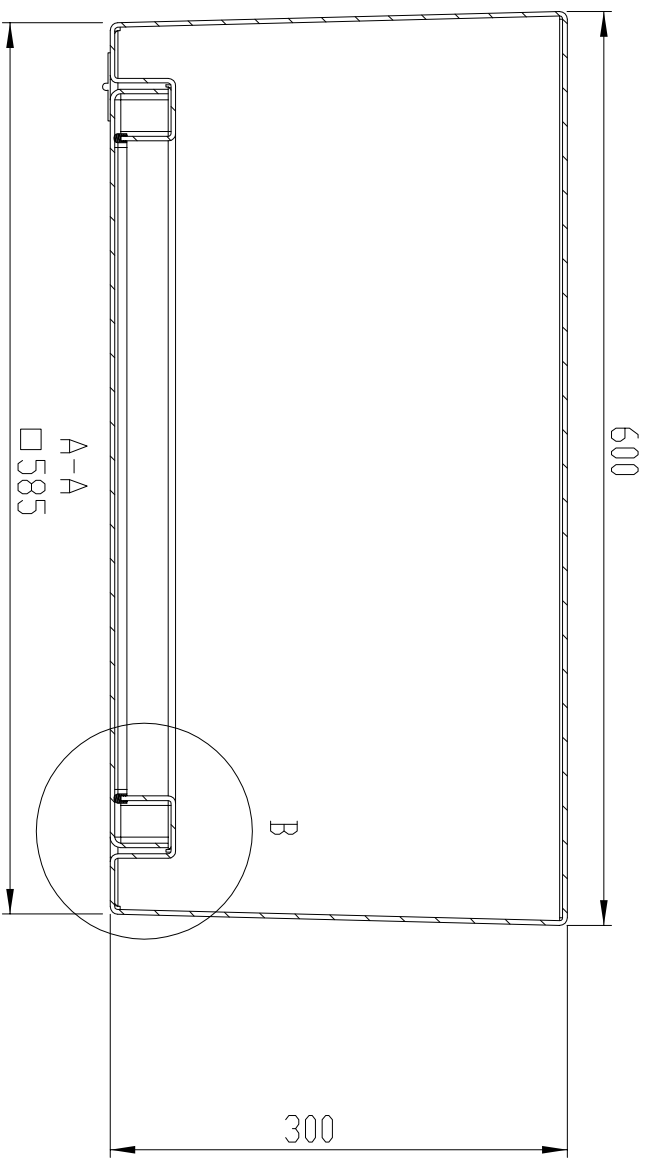
- Shelf
- Ventilation
- Flame retardant version
- Heaters (conventional / ATEX approved)
- Lettering

TECHNICAL SPECIFICATIONS

Dimensions	600 x 300 x 600 mm (LxWxH)
Aperture dimensions	525 x 225 x 260 mm (LxWxH)
Angle of door opening	90°
Weight	11 kgs
Material	GRP
Colour	Safety Green RAL 6002 Firefighting Red RAL 3000 Safety Orange RAL 2009 Lifesaving White RAL 9010
IP rating	IPX6
Door catch	Nylon
Door handle	SS 316
Hinges	SS 316
Seal	EPDM
Reinforcement	Core material
Lettering	White
Approvals	CE / TÜV



GRP storage cabinet: DMO-33
IPX6 rated and TÜV certified



CABINET DMD-33

Name	TK	Weight	7Kg
Checked	*	Thickness	4mm
Date	16-12-2014	Colour RAL	TBA
Scale	1:18	Material	GRP
Belongs to	*		
File nummer	DMD-33		

Dräger

DMD-33

A3