
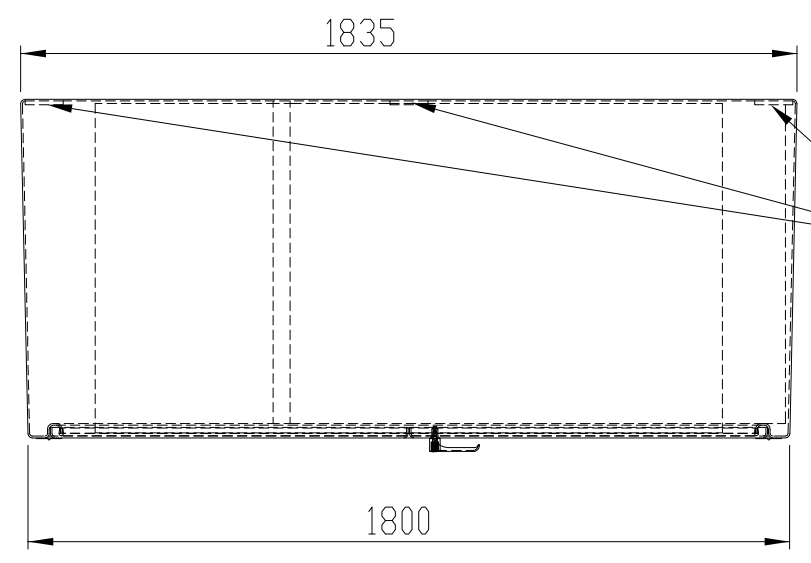


ITEM NO.	QTY.	PART NO.	DESCRIPTION
1	1		SS HINGE 75x75
2	1		SS Handle

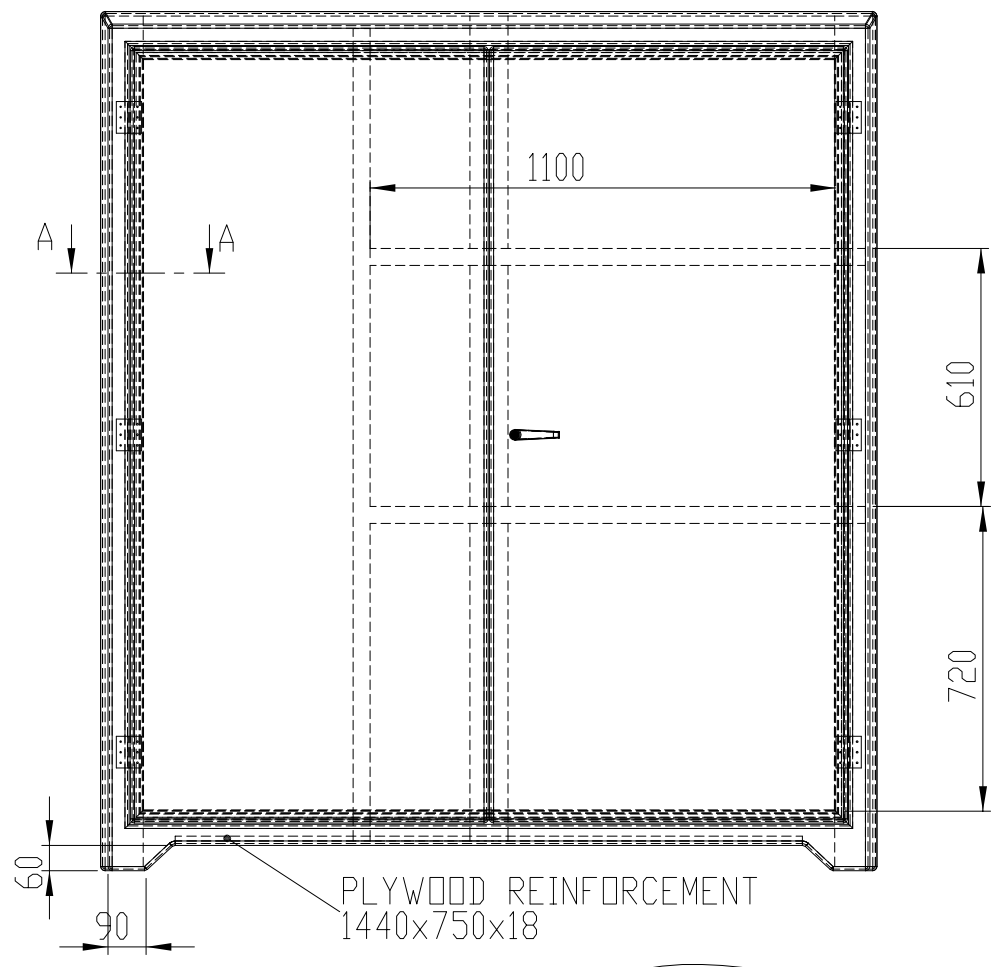
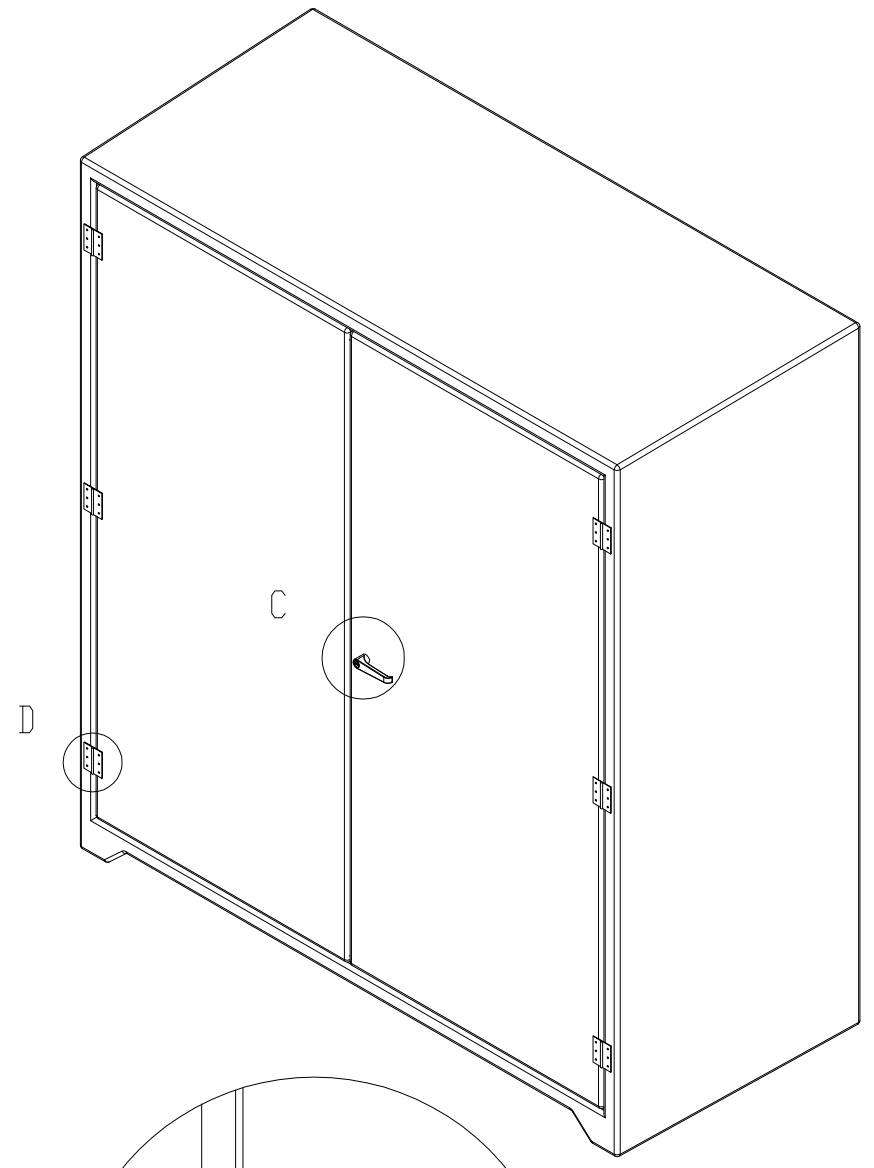
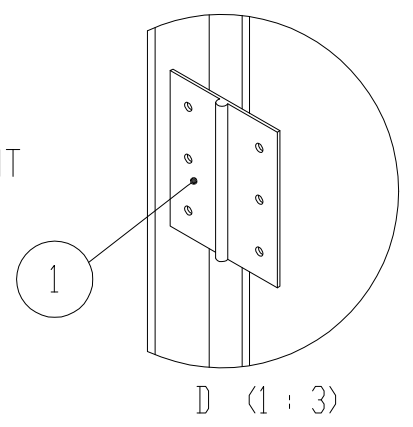
CABINET DM001



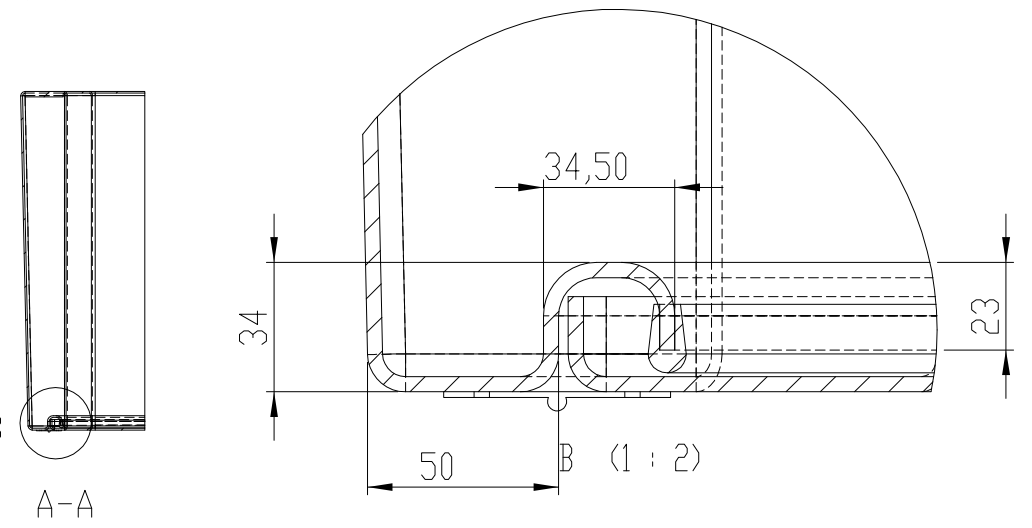
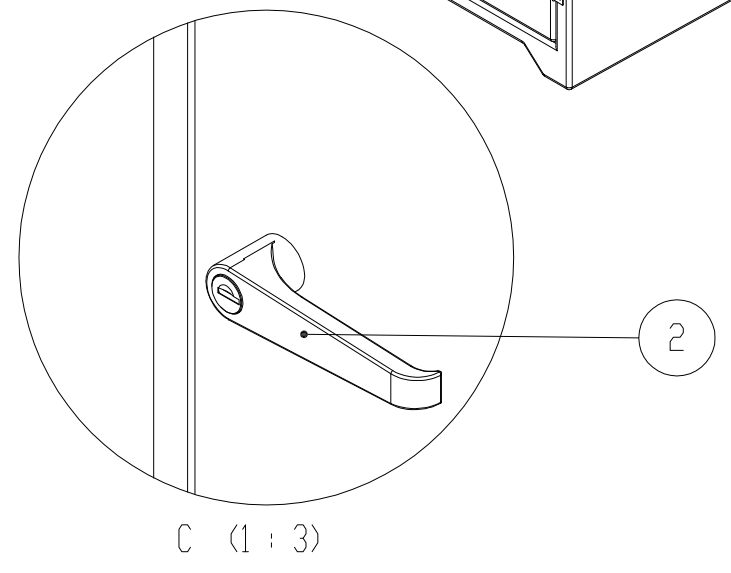
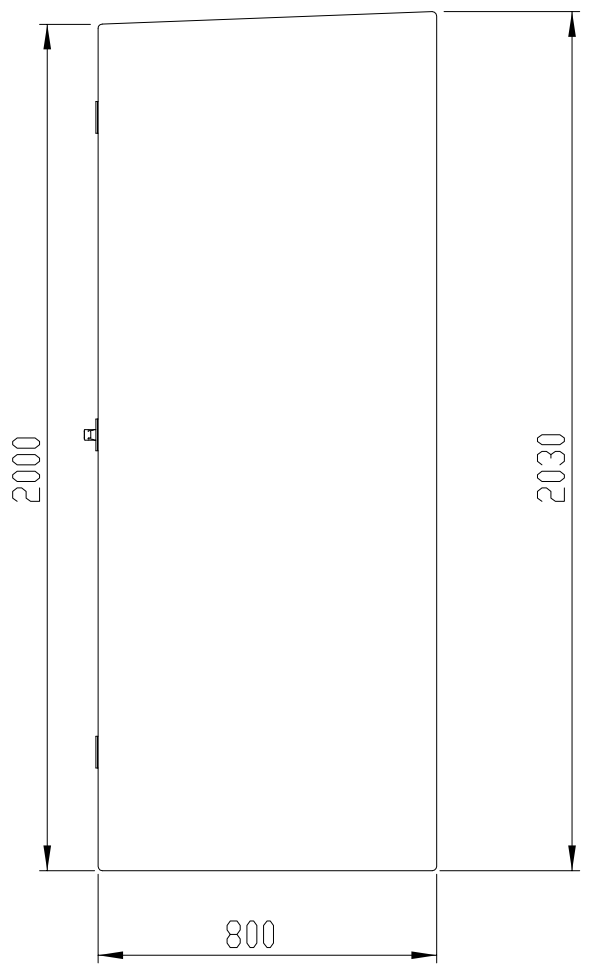
Name	TK	Weight	60Kg
Checked	*	Thickness	4mm
Date	16-12-2014	Colour RAL:	TBA
Scale	1:18	Material	GRP
Belongs to	*		
File number	DM001		A3



PLYWOOD REINFORCEMENT
90x9



PLYWOOD REINFORCEMENT
1440x750x18



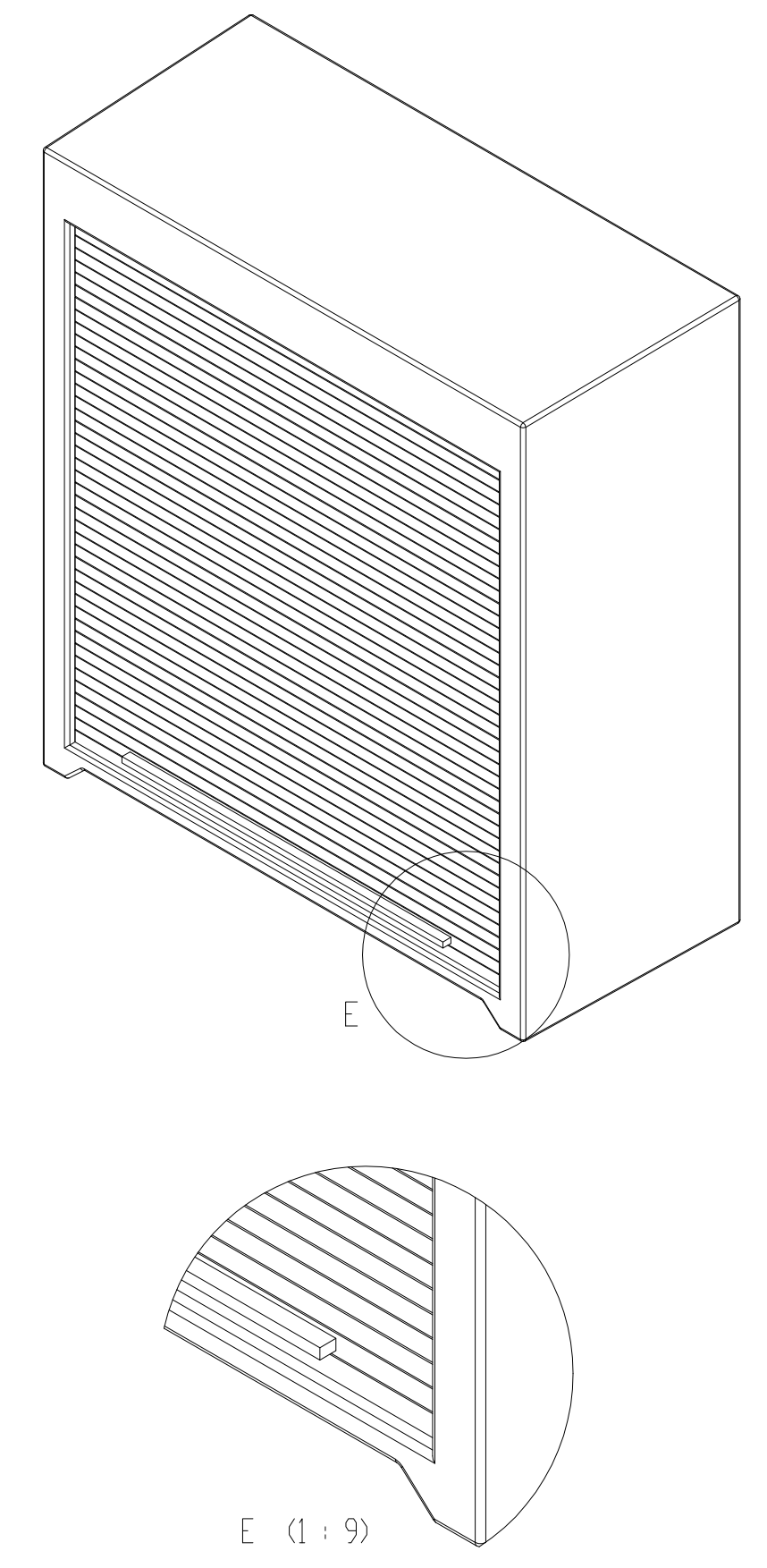
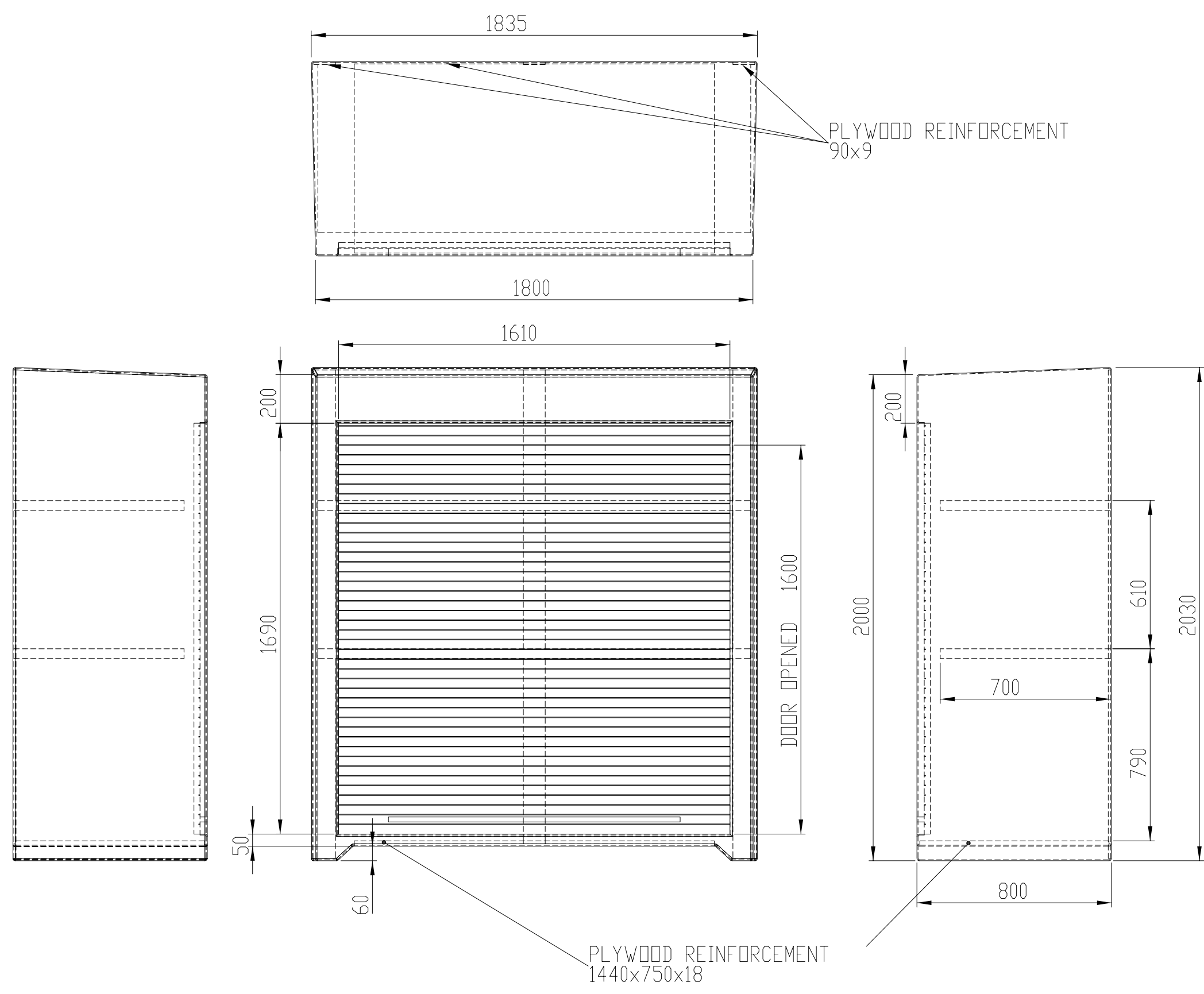
ITEM NO.	QTY.	PART NO.	DESCRIPTION
1	1		SS HINGE 75x75
2	1		SS Handle

CABINET DMD01 FE

Dräger

Name	TK	Weight	60Kg
Checked	*	Thickness	4mm
Date	16-12-2014	Colour RAL:	TBA
Scale	1:18	Material	GRP
Belongs to	*		
File number	DMD01 FE		A3

Deze tekening blijft ons eigendom en mag zonder onze toestemming niet gecopieerd of aan derden ter inzage worden gegeven noch door derden worden gebruikt



CABINET DM001 - RS
ROLLER SHUTTER



Name	TK	Weight	90Kg
Checked	*	Thickness	4mm
Date	16-12-2014	Colour RAL:	TBA
Scale	1:18	Material	GRP
Belongs to	*		
File number	DM001-RS		A3